

# FLIP32 F3 AIO-Lite

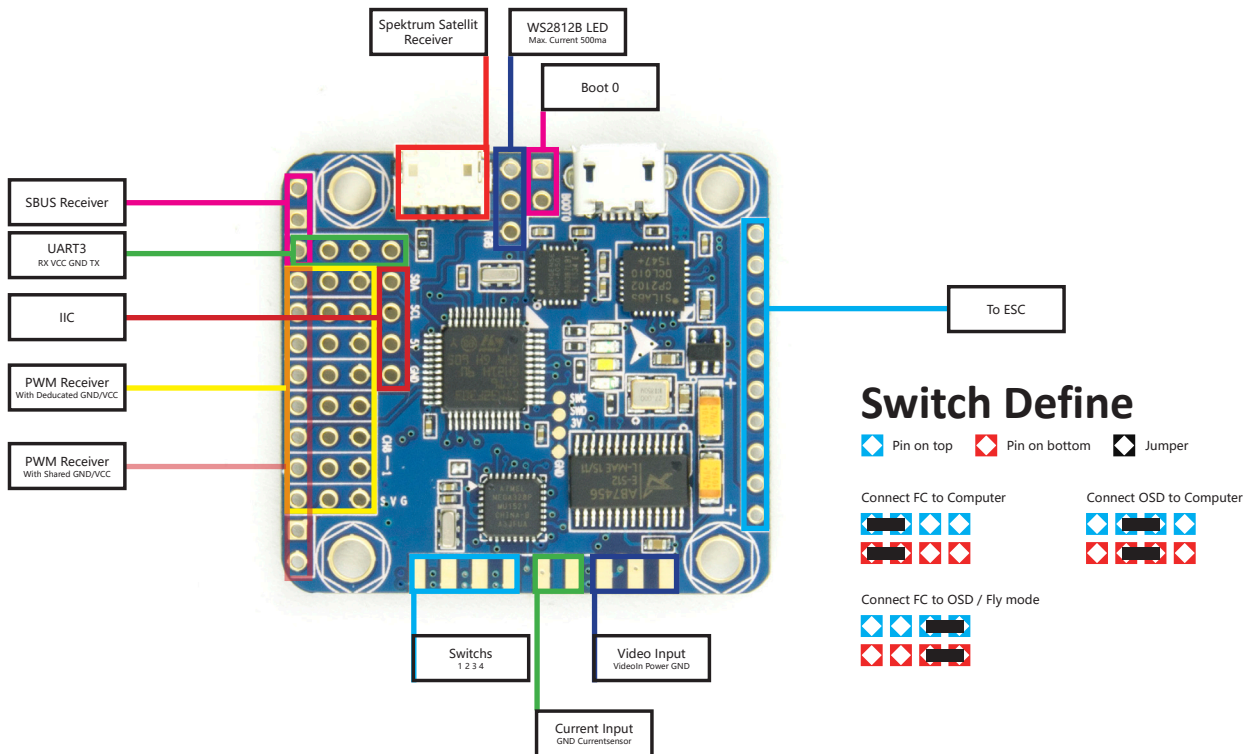
All in one board based on F3 MCU, incl. F3 FC ACRO and MinimOSD. Compare to F1 MCU, it supports more UART, runs faster and has Blackbox.

- STM32 F303 MCU, Runs Cleanflight firmware
- 8PWM input (Pinheaders)
- 8PWM output (Pinheaders)
- Mounting holes 30.5x30.5mm
- 128Mb Flash(16M Byte)



\* Please enable MSP for UART2 in Cleanflight GUI after reflash

## Connection example



## Pin map

